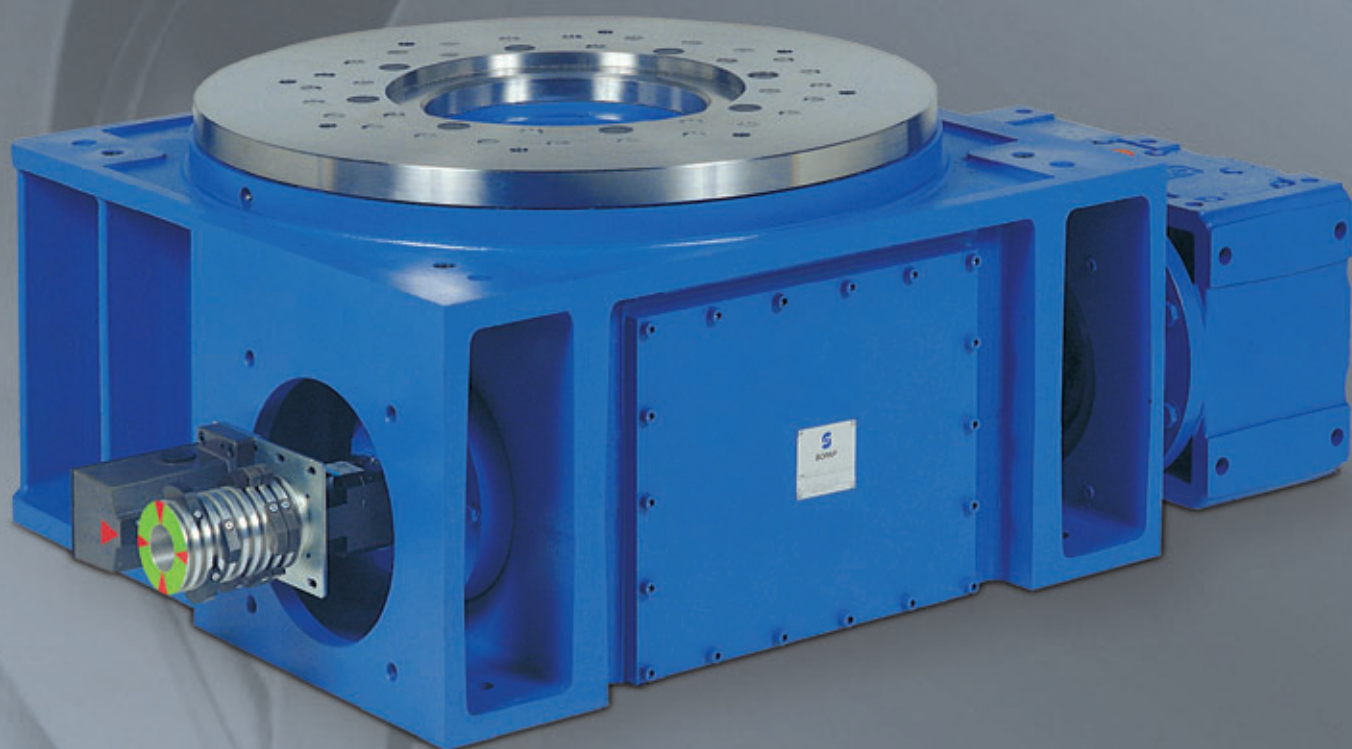


Serie TS



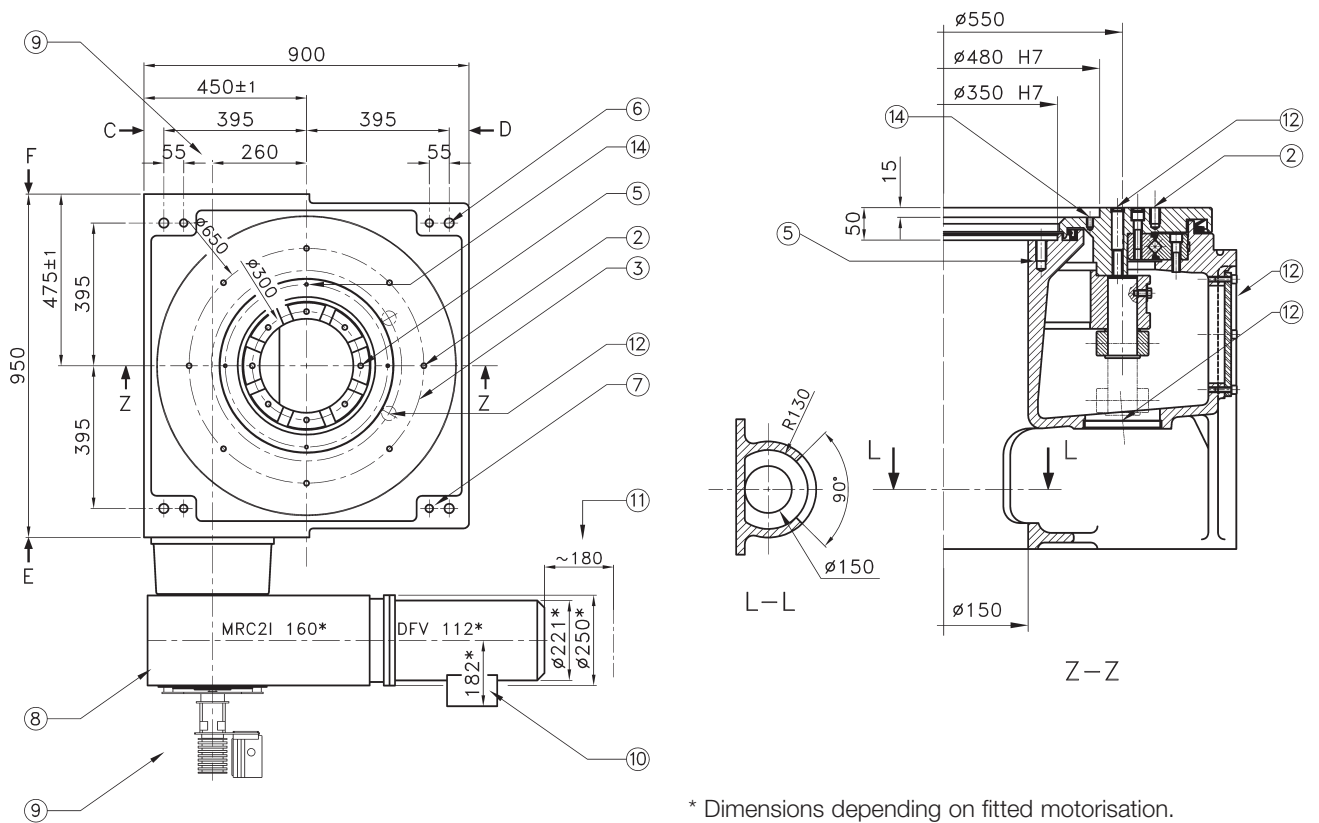
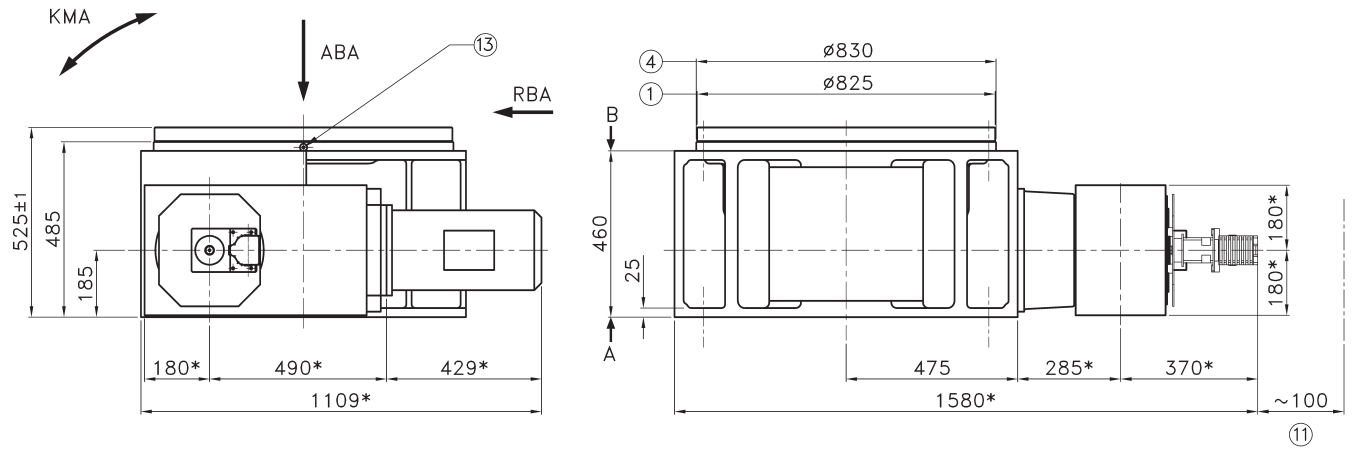
SOPAP



Tsa 1100



TSa 1100



* Dimensions depending on fitted motorisation.

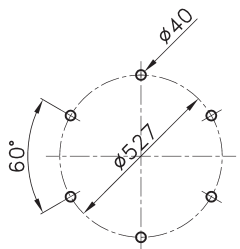
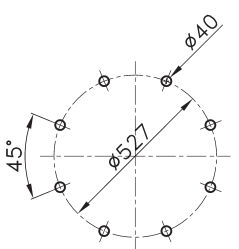
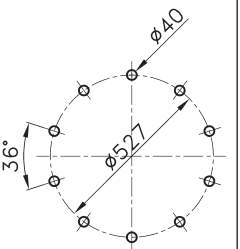
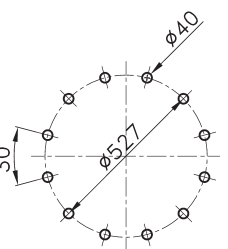
3 years warranty on standard products.

Technical Characteristics

- ① Rotating
- ② 8 x M16 x 25 on Ø650
Positioning of an indexing station
- ③ Possible pinning on Ø650 max. depth 25
Undertaken by customer
- ④ Fix
- ⑤ 8 x M16 x 27 on Ø300
Fix
- ⑥ 4 x Ø26
Faces A and B
- ⑦ 4 x M24
Faces A and B
- ⑧ Reducer
- ⑨ Multi-tracks control unit,
mountable either on face F,
or reducer's side
- ⑩ Brake-motor
- ⑪ Space for disassembly
- ⑫ Access zone for followers' maintenance
- ⑬ 2 lubricators at 180°
- ⑭ 4 x M10 x 10 on Ø450
Positioning of an indexing station

Repeatability	$\pm 0,01$ mm on $R_s = 275$ mm
Indexing accuracy	$\pm 0,02$ mm on $R_s = 275$ mm
Maxi allowable axial load ABA	1 000 000 N
Maxi allowable tilting torque KMA	110 000 Nm
Maxi allowable radial load RBA	200 000 N
Weight with motorisation	~ 1400 kg

ABA, KMA, RBA:
Capacity of cross-roller-bearing

Number of stations	2 - 3 - 6	4 - 8	5 - 10 TP	12
Positioning of followers on indexing stations				
Quantity of followers	6	8	10	12

TP: Programmable Table
Further Number of Stations on Request



SOPAP



SOPAP ensures quality and reliability



France

SOPAP SAS
Z.A.M Châlons Nord
1 Rue des Vignettes
F-51520 La Veuve

Téléphone: +33 (0) 3 26 69 21 21
Télécopie: +33 (0) 3 26 69 21 31
E.mail: info.fr@sopap.com

Deutschland Süd

SOPAP GmbH
Mittelöschstrasse 21
D-88213 Ravensburg

Telefon: +49 (0) 751 9507
Telefax: +49 (0) 751 92583
E.mail: info-sued.de@sopap.com

España

SOPAP Automatización S.L.
%Las Cruces nº6 – Bajo C
E-28230 Las Rozas
Madrid

Teléfono: +34 91 636 01 39
Teléfax: +34 91 636 02 64
E.mail: info.es@sopap.com

Benelux

ADR
Solvayweg 18
6049 CP Herten-Roermond
Nederland

Telefoon: +31 475 337379
Fax: +31 475 337444
E.mail: info.nl@sopap.com

Brasil

Triaxis
Rua Bulgária, 215
Vila Santa Luzia
09871-100 Sao Bernardo do Campo

Telefone: +55 11 4361 4977
Fax: +55 11 4361 9004
E.mail: info.br@sopap.com

Deutschland Mitte

Konstruktionsbüro Becker
Hch. Von Brentanoweg 2
D-64683 Einhausen

Telefon: +49 (0) 6251 856601
Telefax: +49 (0) 6251 987701
E.mail: info-mitte.de@sopap.com

USA

SOPAP LLC
560-A Brookshire Road
29651 Greer
South Carolina

Telephone: +1 864 801 1450
Fax: +1 864 801 1460
E.mail: info-sc.usa@sopap.com

USA

Rudy V. Colombi
2696 Red Fox Trail
48098 Troy
Michigan

Telephone: +1 248 840 2377
Fax: +1 248 540 7535
E.mail: info-mi.usa@sopap.com

Canada

DOLYX trading inc.
171 Nicholson Crt.
L7N 3N5 Burlington
Ontario

Telephone: +1 905 631 6615
Fax: +1 905 631 6244
E.mail: info-on.ca@sopap.com