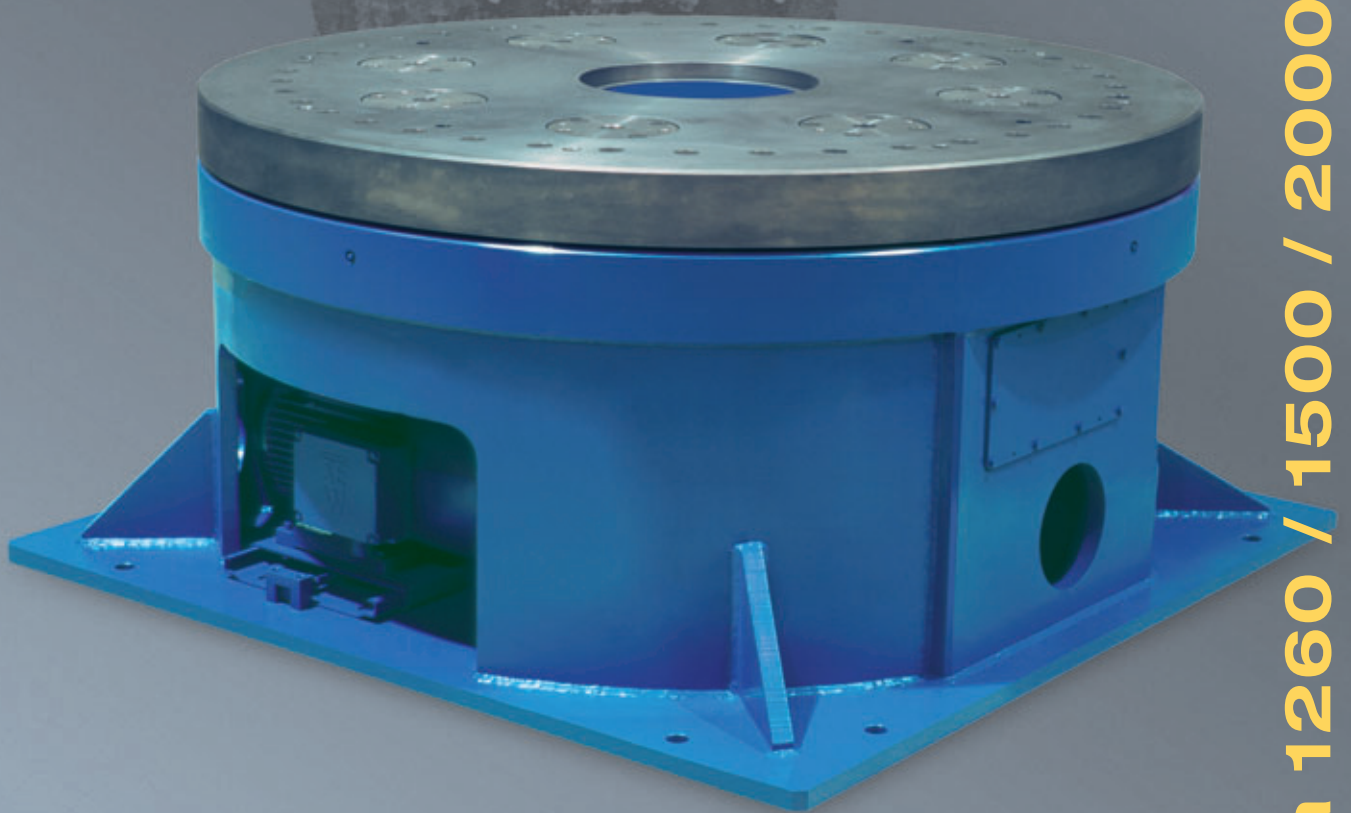


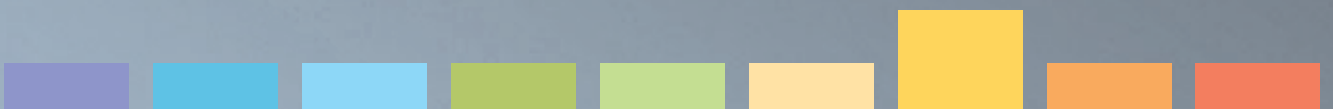
Serie TS



SOPAP



Tsa 1260 / 1500 / 2000



TSa 1260/1500/2000

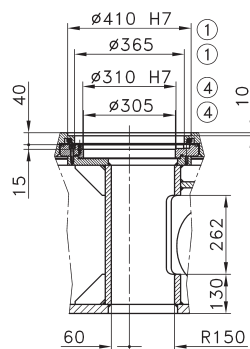
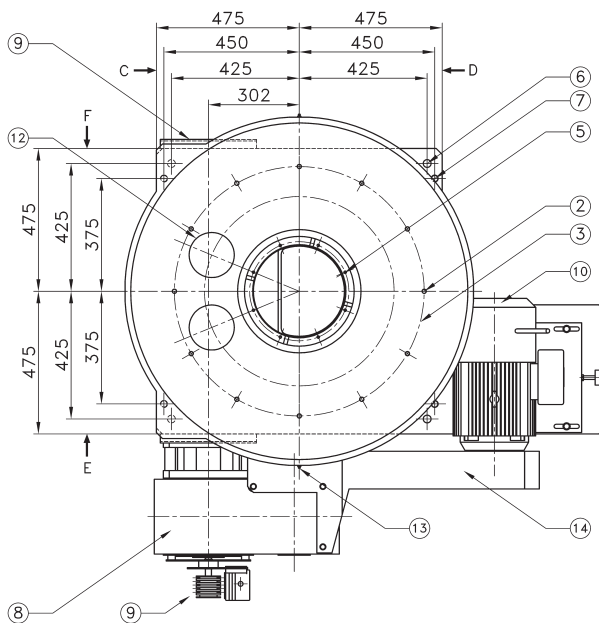
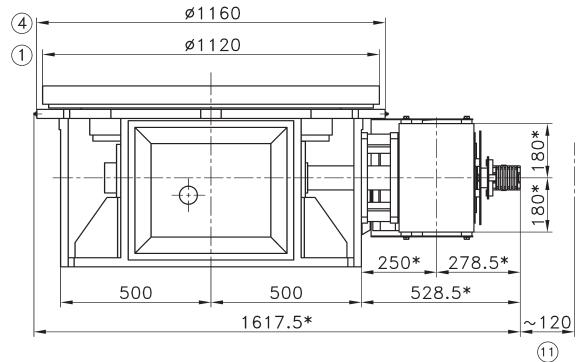
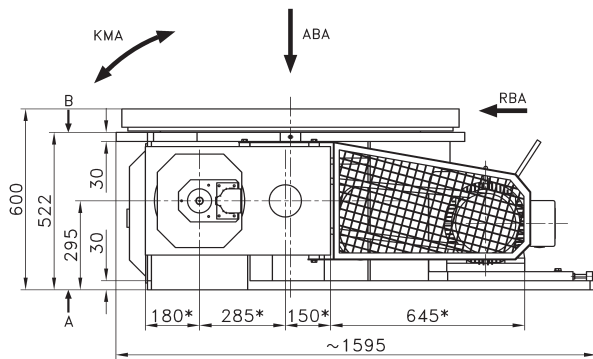
Technical characteristics

TYPE TS	1260	1500	2000
Repeatability	± 0,02 mm on Rs = 315 mm	± 0,02 mm on Rs = 375 mm	± 0,02 mm on Rs = 500 mm
Indexing accuracy	± 0,03 mm on Rs = 315 mm	± 0,03 mm on Rs = 375 mm	± 0,03 mm on Rs = 500 mm
Maxi allowable axial load ABA	1 400 000 N	1 400 000 N	4 250 000 N
Maxi allowable tilting torque KMA	290 000 Nm	290 000 Nm	1 300 000 Nm
Maxi allowable radial load RBA	280 000 N	280 000 N	850 000 N
Weight with motorisation	~ 2500 kg	~ 3500 kg	~ 5500 kg

ABA, KMA, RBA : Capacity of cross-roller-bearing

3 years warranty on standard products.

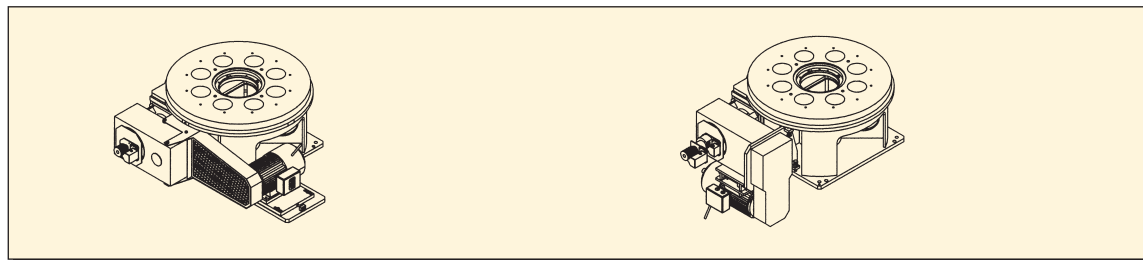
TSa 1260



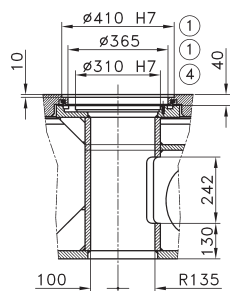
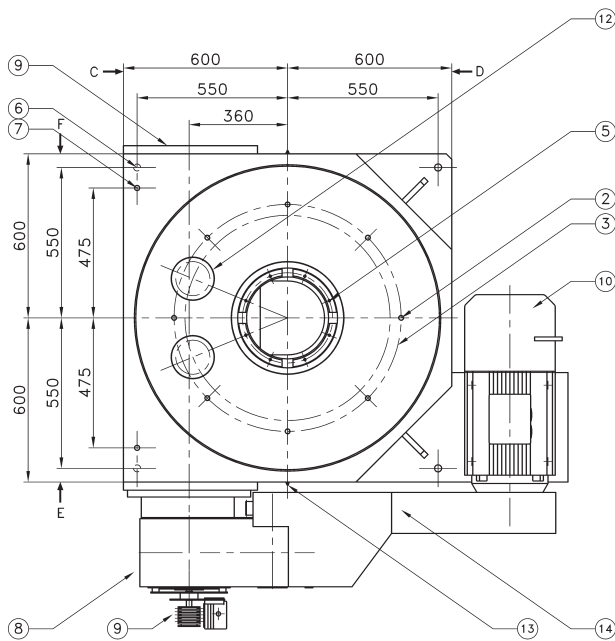
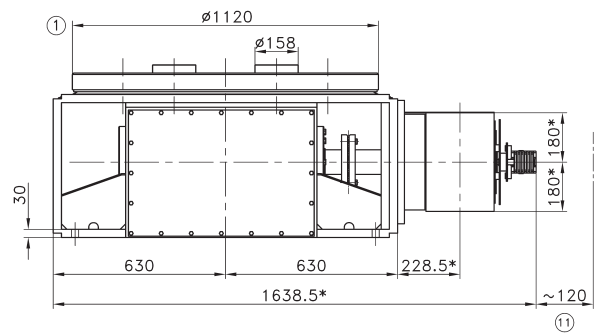
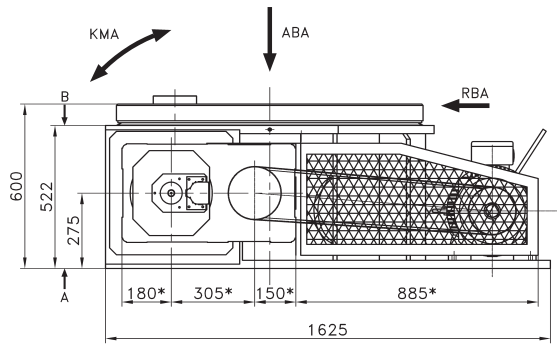
- ① Rotating
- ② 12 x M16 x 35 on $\varnothing 830$
Positioning of an indexing station
- ③ Possible pinning on $\varnothing 830$ max. depth 35
Undertaken by customer
- ④ Fix
- ⑤ 8 x M10 x 25 on $\varnothing 330$ (Fix)
- ⑥ 4 x $\varnothing 26$ (Face A)
- ⑦ 4 x M24 (Face A)
- ⑧ Reducer
- ⑨ Multi-tracks control unit, mountable either
on face F, or on reducer's side
- ⑩ Brake-motor
- ⑪ Space for disassembly
- ⑫ Extractable Follower housing of $\varnothing 150$ on
 $\varnothing 630$. Positioning of an indexing station
Quantity depending on number of stops.
(Sufficient space in customer's tooling for disassembly)
- ⑬ 2 lubricators at 180°
- ⑭ Transmission

* Dimensions depending on fitted motorisation.

POSSIBLE MOTOR POSITIONINGS



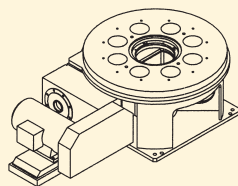
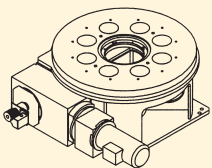
TSa 1500

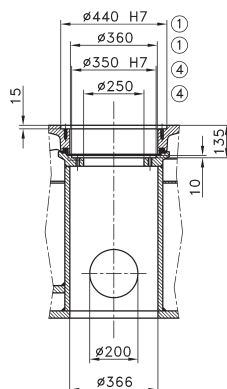
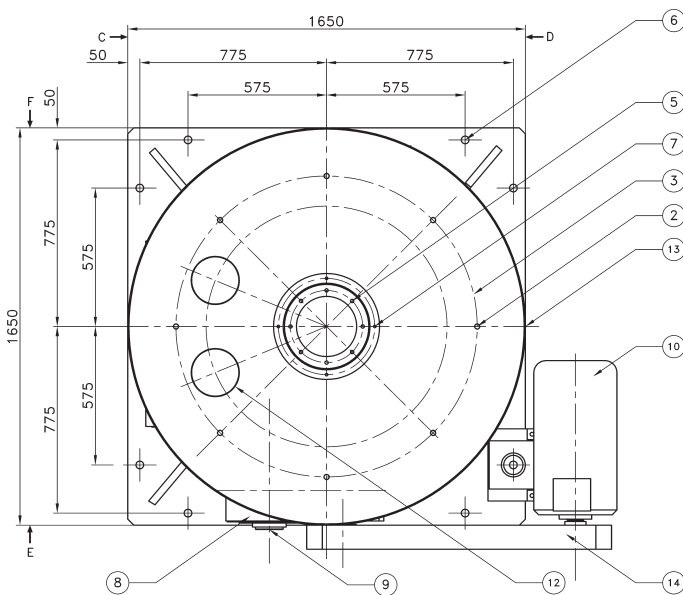
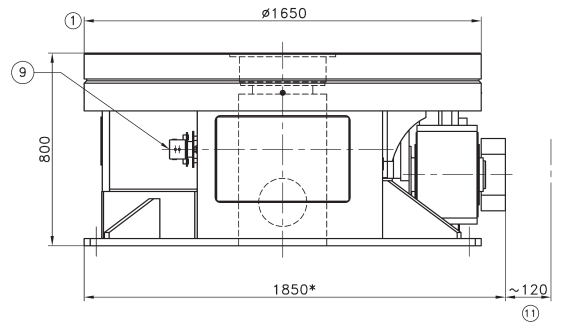
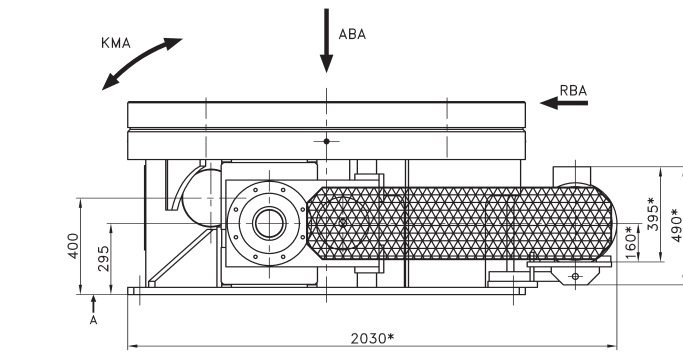


- ① Rotating
- ② M20 x 40 on Ø 830
Positioning of an indexing station
Quantity depending on number of stops.
- ③ Possible pinning on Ø 830 max. depth 40
Undertaken by customer
- ④ Fix
- ⑤ 8 x M10 x 25 on Ø 330 (Fix)
- ⑥ 4 x Ø26 (Face A)
- ⑦ 2 x M20 (Face B)
- ⑧ Reducer
- ⑨ Multi-tracks control unit, mountable
either on face F, or on reducer's side
- ⑩ Brake-motor
- ⑪ Space for disassembly
- ⑫ Extractable follower housing of Ø 158 on
Ø 750. Positioning of an indexing station
Quantity depending on number of stops.
(Sufficient space in customer's tooling for disassembly)
- ⑬ 2 lubricators at 180°
- ⑭ Transmission

* Dimensions depending on fitted motorisation.

POSSIBLE MOTOR POSITIONINGS

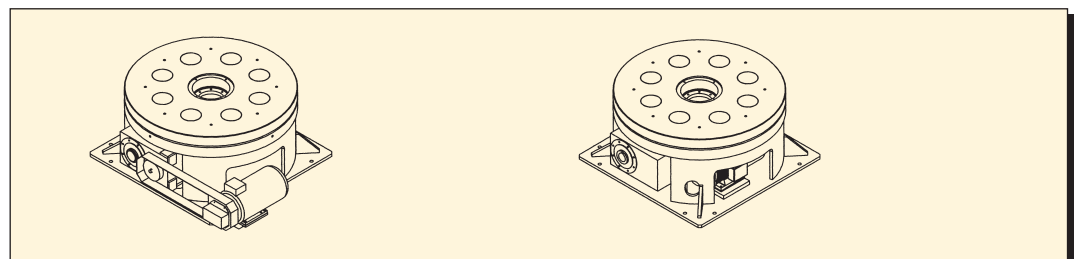




- ① Rotating
- ② M24 x 45 on $\varnothing 1250$
Positioning of an indexing station
Quantity depending on number of stops.
- ③ Possible pinning on $\varnothing 1250$ max. depth 45
Undertaken by customer
- ④ Fix
- ⑤ 8 x M16 x 25 on $\varnothing 300$ (Fix)
- ⑥ 8 x $\varnothing 32$ (Face A)
- ⑦ 4 x M12 x 30 on $\varnothing 400$
Positioning of an indexing station
- ⑧ Reducer
- ⑨ Multi-tracks control unit mounted on face F, can be mounted on reducer's side
- ⑩ Brake-motor
- ⑪ Space for disassembly
- ⑫ Extractable follower housing of $\varnothing 200$ on $\varnothing 1000$. Positioning of an indexing station
Quantity depending on number of stops.
(Sufficient space in customer's tooling for disassembly)
- ⑬ 4 lubricators at 90°
- ⑭ Transmission

* Dimensions depending on fitted motorisation.

POSSIBLE MOTOR POSITIONINGS

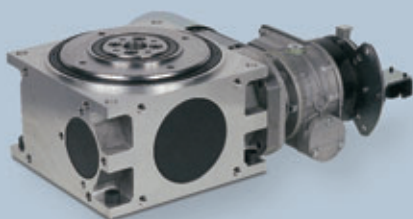




SOPAP



SOPAP ensures quality and reliability



France

SOPAP SAS
Z.A.M Châlons Nord
1 Rue des Vignettes
F-51520 La Veuve

Téléphone: +33 (0) 3 26 69 21 21
Télécopie: +33 (0) 3 26 69 21 31
E.mail: info.fr@sopap.com

Deutschland Süd

SOPAP GmbH
Mittelöschstrasse 21
D-88213 Ravensburg

Telefon: +49 (0) 751 9507
Telefax: +49 (0) 751 92583
E.mail: info-sued.de@sopap.com

España

SOPAP Automatización S.L.
%Las Cruces nº6 – Bajo C
E-28230 Las Rozas
Madrid

Teléfono: +34 91 636 01 39
Teléfax: +34 91 636 02 64
E.mail: info.es@sopap.com

Benelux

ADR
Solvayweg 18
6049 CP Herten-Roermond
Nederland

Telefoon: +31 475 337379
Fax: +31 475 337444
E.mail: info.nl@sopap.com

Brasil

Triaxis
Rua Bulgária, 215
Vila Santa Luzia
09871-100 Sao Bernardo do Campo

Telefone: +55 11 4361 4977
Fax: +55 11 4361 9004
E.mail: info.br@sopap.com

USA

SOPAP LLC
5563 Pebbleshire Road
48301 Bloomfield
Michigan

Telephone: +1 248 737 2935
Fax: +1 248 737 4278
E.mail: info-mi.usa@sopap.com

USA

SOPAP LLC
560-A Brookshire Road
29651 Greer
South Carolina

Telephone: +1 864 801 1450
Fax: +1 864 801 1460
E.mail: info-sc.usa@sopap.com

USA

Rudy V. Colombi
2696 Red Fox Trail
48098 Troy
Michigan

Telephone: +1 248 840 2377
Fax: +1 248 540 7535

Canada

DOLYX trading inc.
171 Nicholson Crt.
L7N 3N5 Burlington
Ontario

Telephone: +1 905 631 6615
Fax: +1 905 631 6244
E.mail: info-on.ca@sopap.com