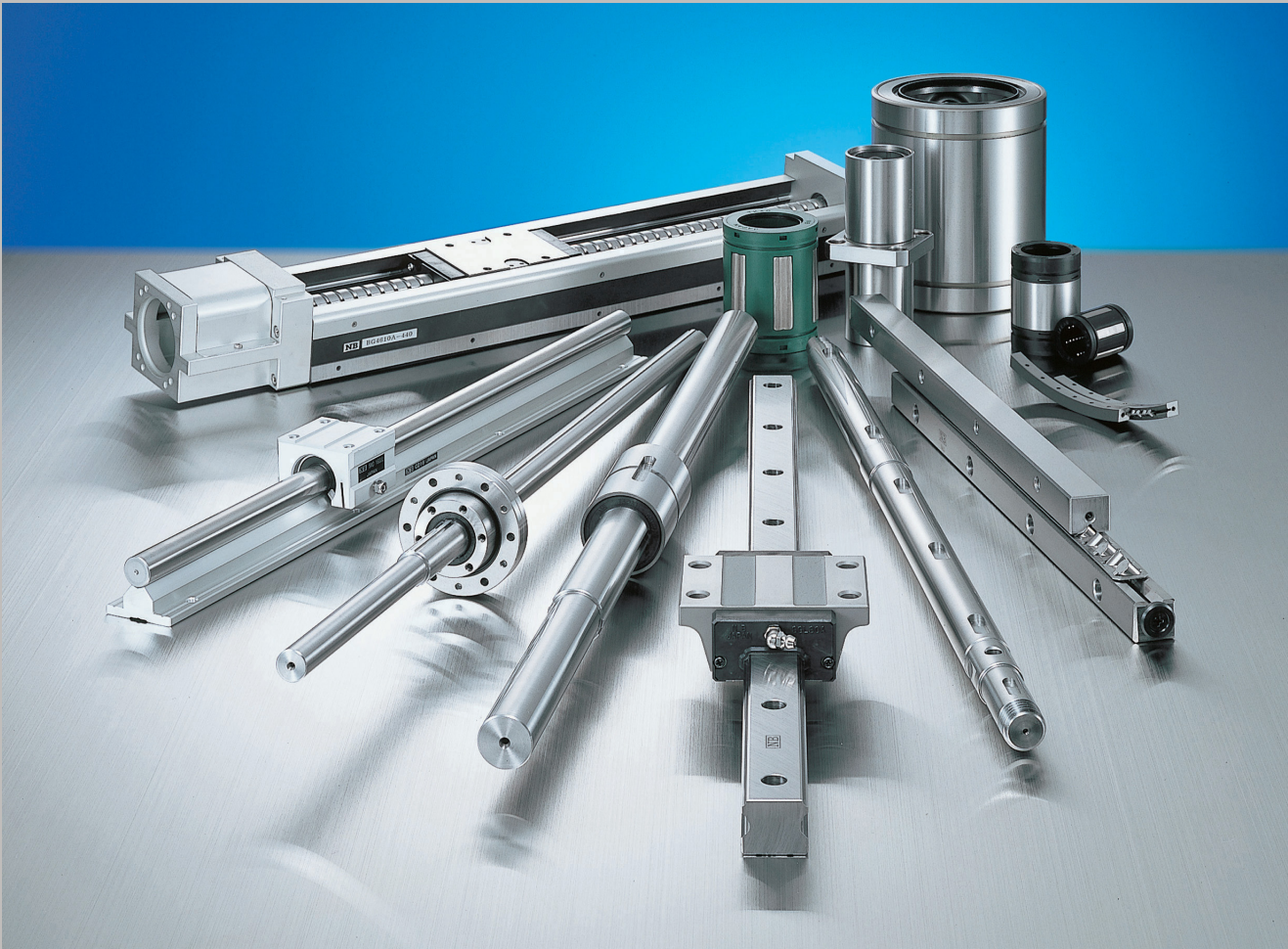


NB

LINEAR SYSTEM



No.159

ISO9001/ISO14001



NIPPON BEARING CO., LTD.



LINEAR SYSTEM



Nippon Bearing Co., Ltd.

CONTENTS

NB LINEAR SYSTEM TECHNICAL INFORMATION

Eng- 1~12

SLIDE GUIDE

A-1~81

BALL SPLINE ROTARY BALL SPLINE STROKE BALL SPLINE

B-1~45

TOPBALL® PRODUCTS

C-1~23

SLIDE BUSH

D-1~120

SLIDE UNIT

E-1~46

STROKE BUSH SLIDE ROTARY BUSH

F-1~23

SLIDE SHAFT

G-1~19

SLIDE WAY SLIDE TABLE MINIATURE SLIDE GONIO WAY

H-1~68

ACTUATOR

I-1~55

TECHNICAL REFERENCE INDEXES

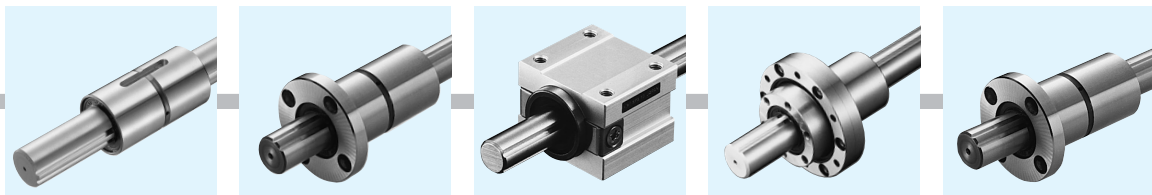
Tech- 1~7
INDEX- 1~8

SLIDE SCREW

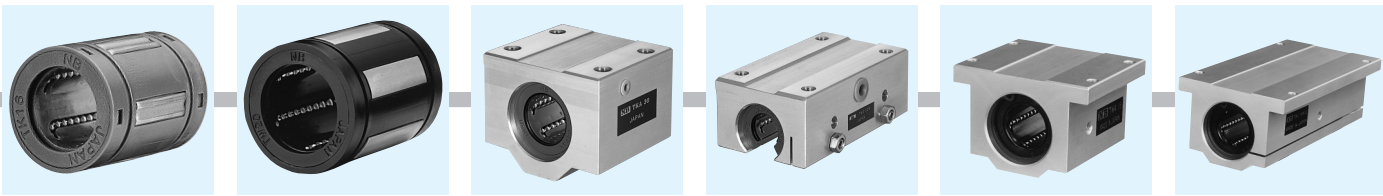
J-1~7



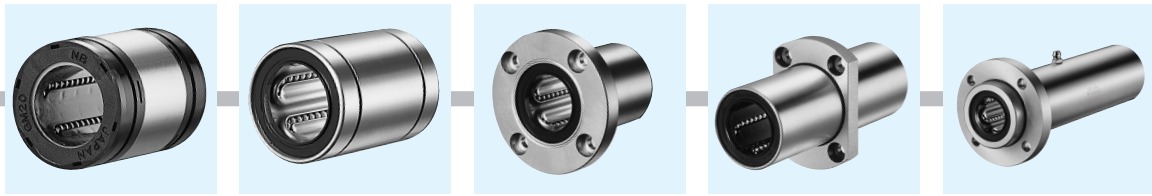
SLIDE GUIDE



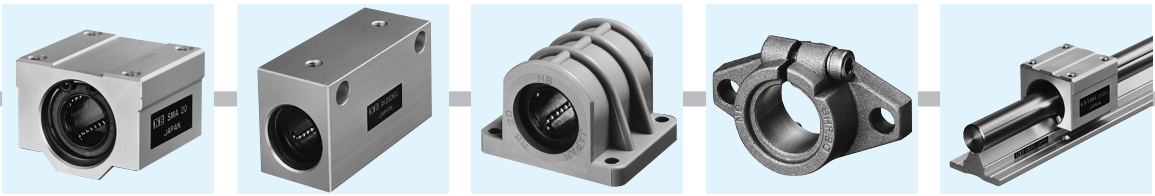
BALL SPLINE
ROTARY BALL SPLINE
STROKE BALL SPLINE



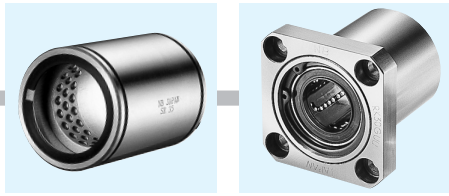
TOPBALL® PRODUCTS



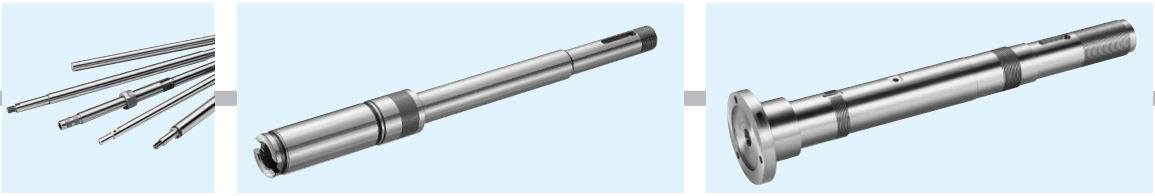
SLIDE BUSH



SLIDE UNIT



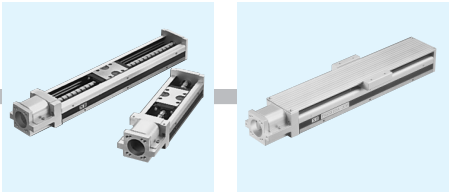
STROKE BUSH
SLIDE ROTARY BUSH



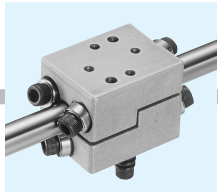
SLIDE SHAFT



SLIDE WAY/GONIO WAY
SLIDE TABLE
MINIATURE SLIDE



ACTUATOR

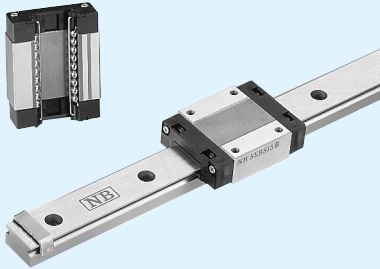


SLIDE SCREW

SLIDE GUIDE

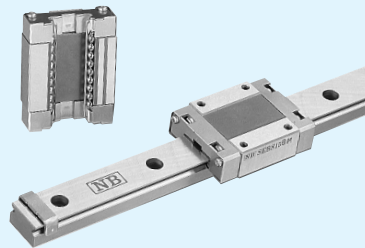
SEBS-B/BY
SEBS-B-N/BY-N

P.A-26
P.A-26



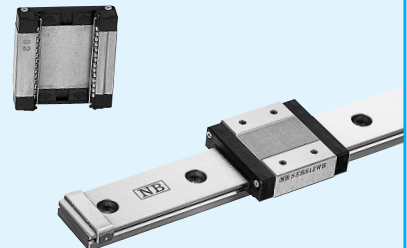
SEBS-BM/BYM
SEBS-BM-N/BYM-N

P.A-26
P.A-26



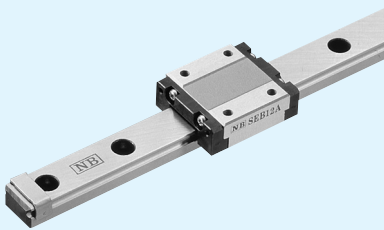
SEBS-WB/WBY
SEBS-WB-N/WBY-N

P.A-28
P.A-28



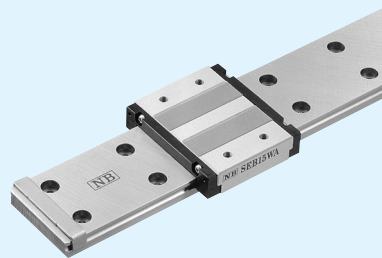
SEB-A/AY
SEB-A-N/AY-N

P.A-30
P.A-30



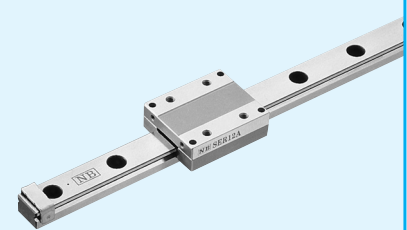
SEB-WA/WAY
SEB-WA-N/WAY-N

P.A-32
P.A-32



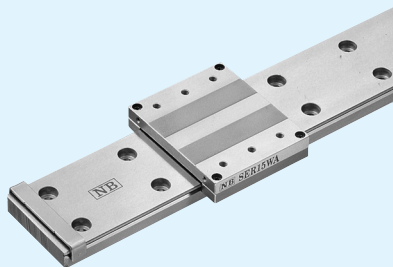
SER-A
SER-A-N

P.A-38
P.A-38



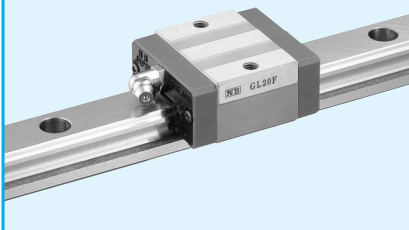
SER-WA
SER-WA-N

P.A-40
P.A-40



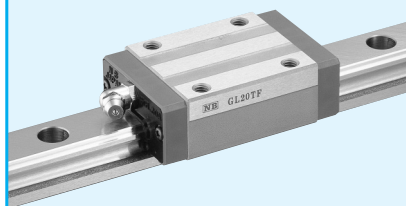
GL-F

P.A-48



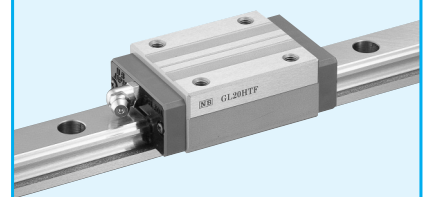
GL-TF

P.A-50

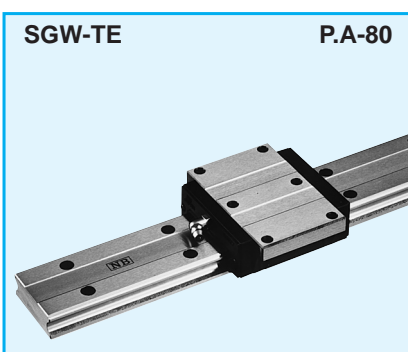
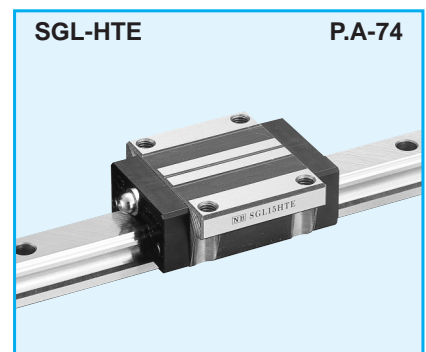
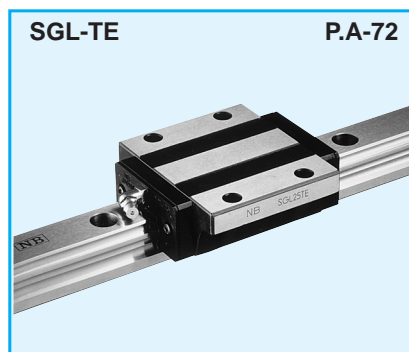
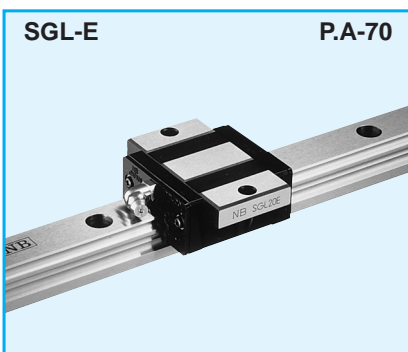
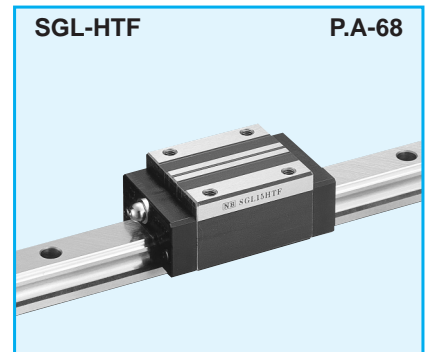
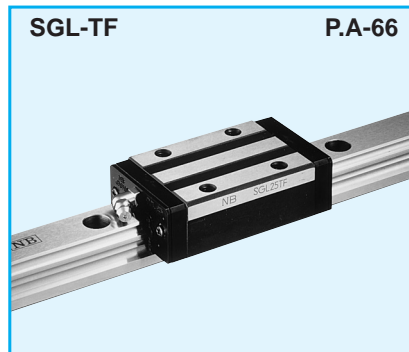
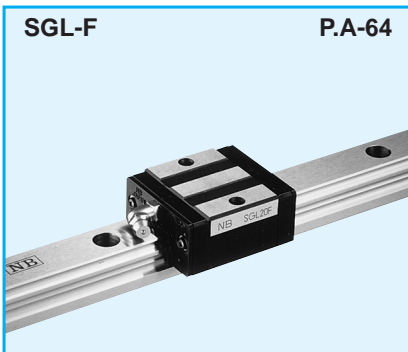
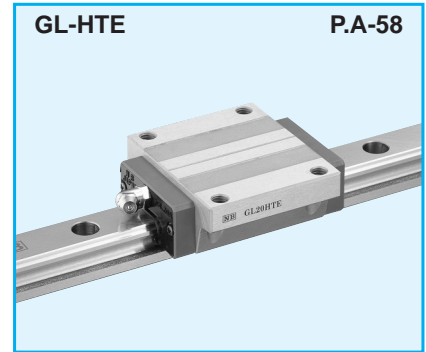
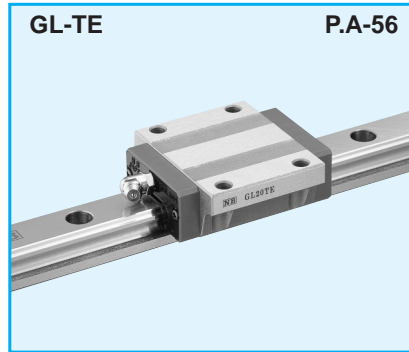
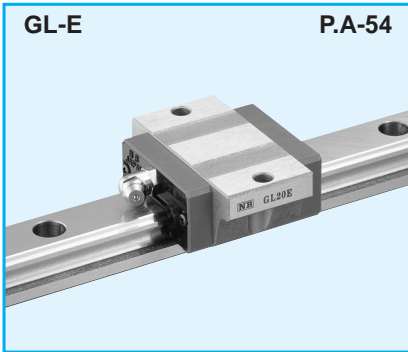


GL-HTF

P.A-52



CONTENTS



SLIDE GUIDE

BALL SPLINE
ROTARY BALL SPLINE
STROKE BALL SPLINE

TOPBALL® PRODUCTS

SLIDE BUSH

SLIDE UNIT

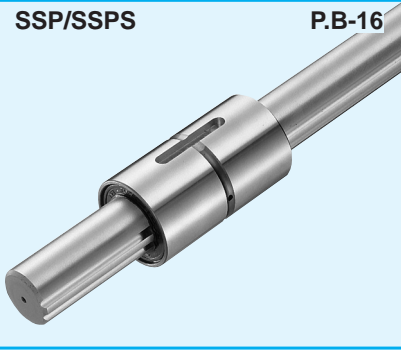
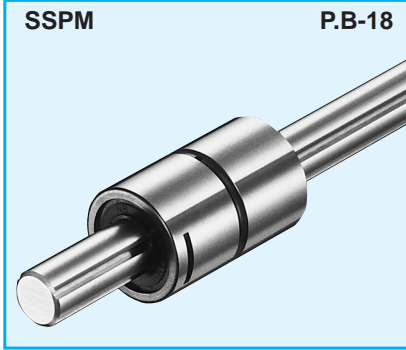
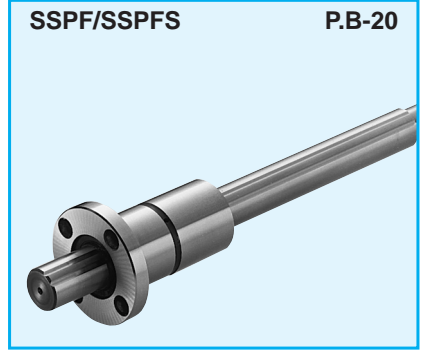
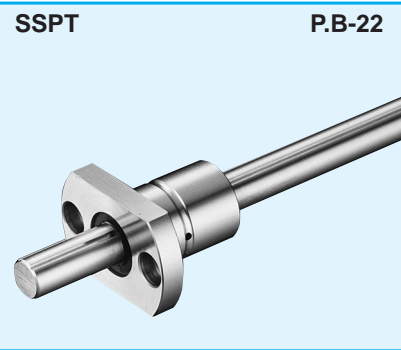
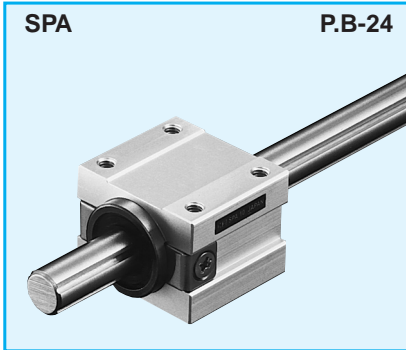
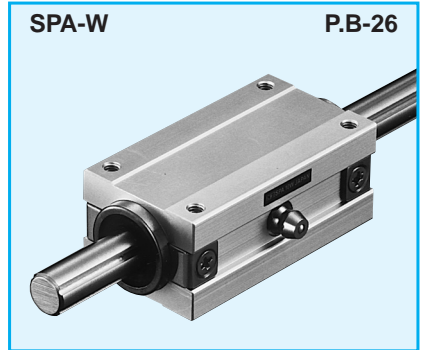
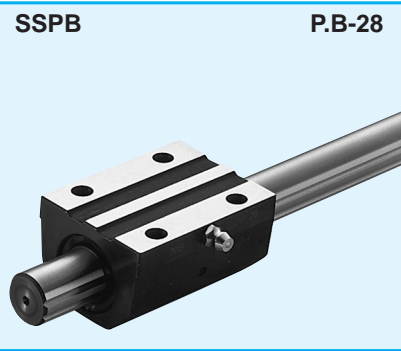
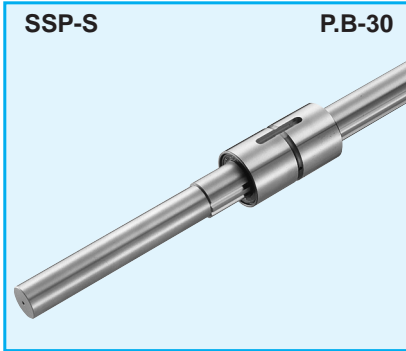
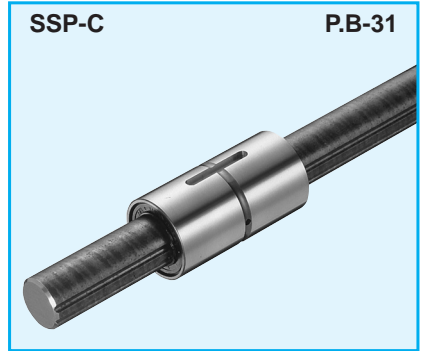
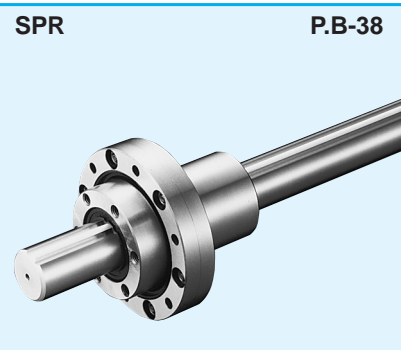
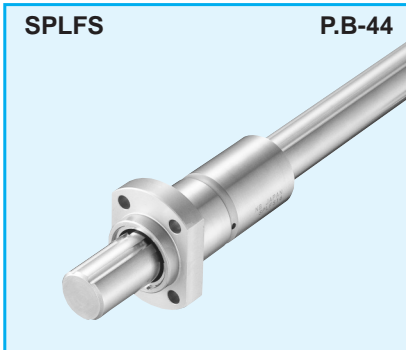
STROKE BUSH
SLIDE ROTARY BUSH

SLIDE SHAFT

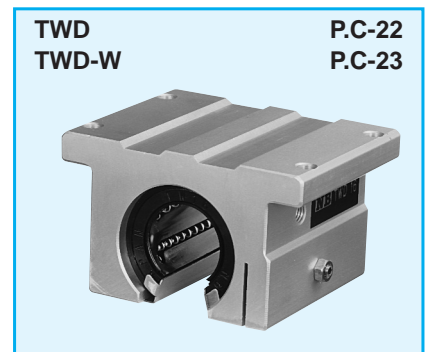
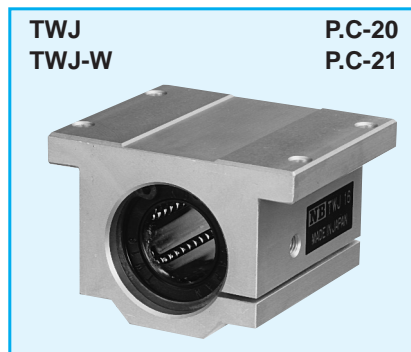
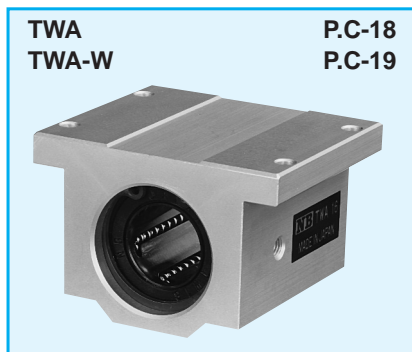
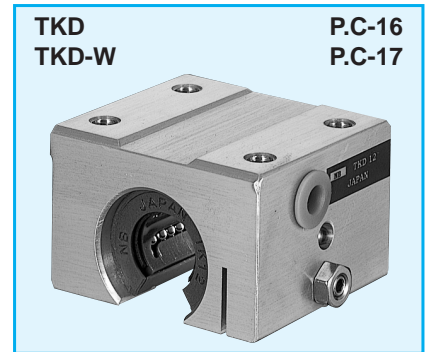
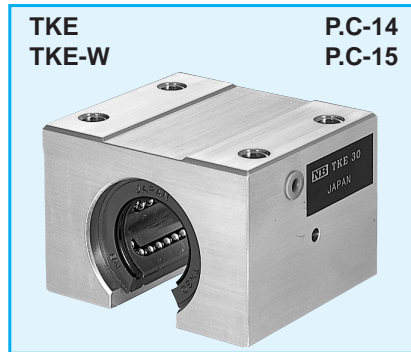
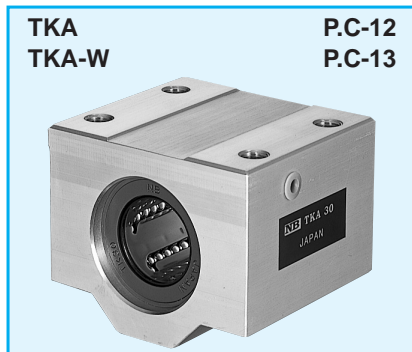
SLIDE WAY/GONIO WAY
SLIDE TABLE
MINIATURE SLIDE

ACTUATOR

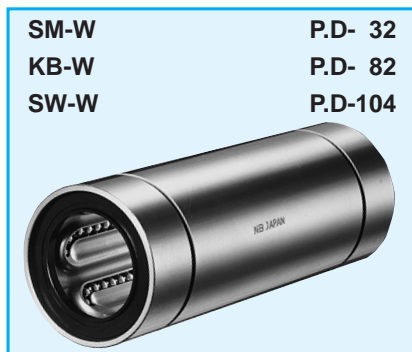
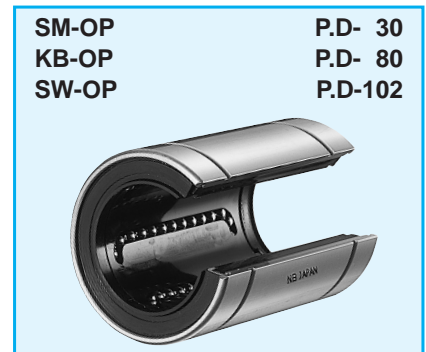
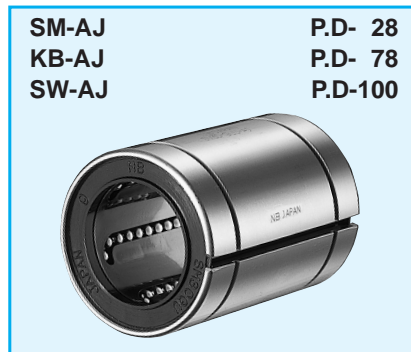
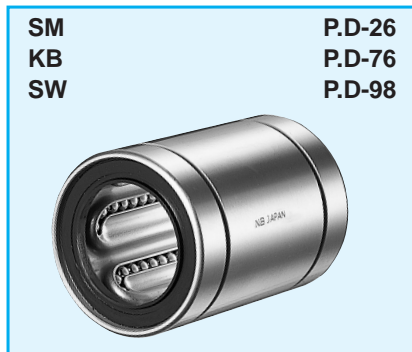
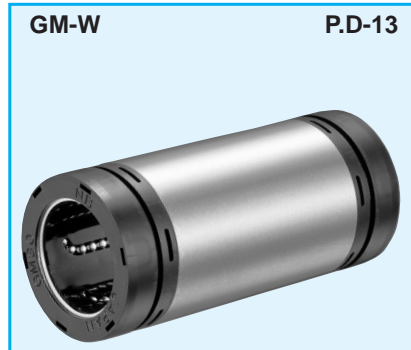
SLIDE SCREW

BALL SPLINE**SSP/SSPS****P.B-16****SSPM****P.B-18****SSPF/SSPFS****P.B-20****SSPT****P.B-22****SPA****P.B-24****SPA-W****P.B-26****SSPB****P.B-28****SSP-S****P.B-30****SSP-C****P.B-31****SPR****P.B-38****SPLFS****P.B-44**

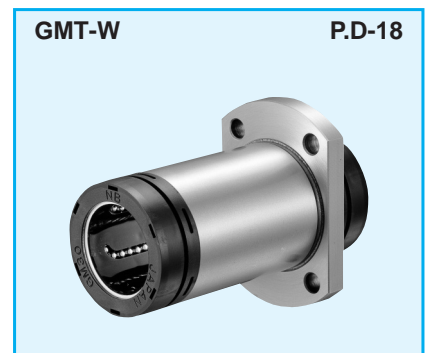
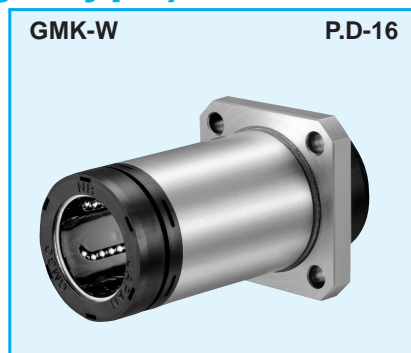
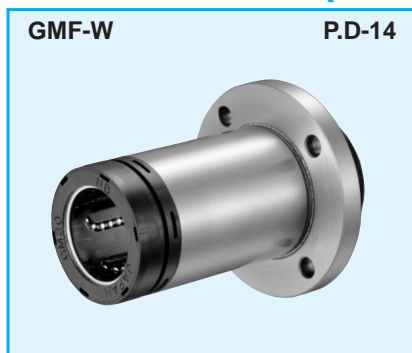
TOPBALL® PRODUCTS



SLIDE BUSH



SLIDE BUSH (Flange Type)



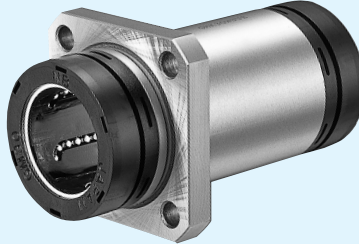
GMF-W-E

P.D-20



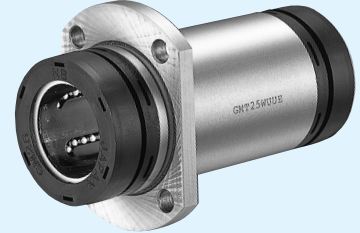
GMK-W-E

P.D-22



GMT-W-E

P.D-24



**SMF
KBF
SWF**

**P.D- 34
P.D- 84
P.D-106**



**SMK
KBK
SWK**

**P.D- 36
P.D- 86
P.D-108**



**SMT
KBT
SWT**

**P.D- 38
P.D- 88
P.D-110**



SMF-E

P.D-40



SMK-E

P.D-42



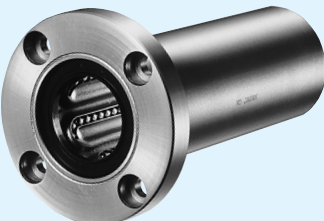
SMT-E

P.D-44



**SMF-W
KBF-W
SWF-W**

**P.D- 46
P.D- 90
P.D-112**



**SMK-W
KBK-W
SWK-W**

**P.D- 48
P.D- 92
P.D-114**



SMT-W

P.D-50



SLIDE BUSH (Flange Type)

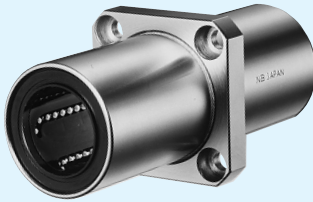
SMFC
KBFC
SWFC

P.D- 52
P.D- 94
P.D-116



SMKC
KBKC
SWKC

P.D- 54
P.D- 96
P.D-118



SMTC

P.D-56



SMF-W-E

P.D-58



SMK-W-E

P.D-60



SMT-W-E

P.D-62



TRF

P.D-64



TRK

P.D-66



TRFC

P.D-68



TRKC

P.D-70



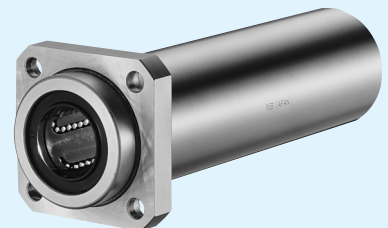
TRF-E

P.D-72



TRK-E

P.D-74



SLIDE UNIT

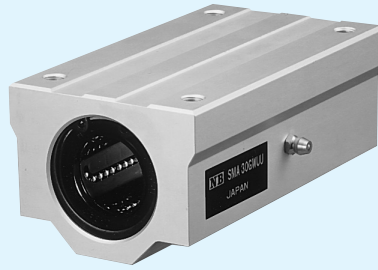
SMA

P.E-8



SMA-W

P.E-10



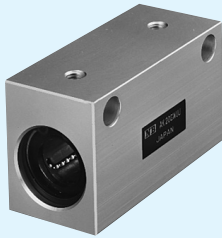
AK

P.E-12



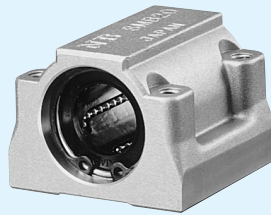
AK-W

P.E-14



SMB

P.E-16



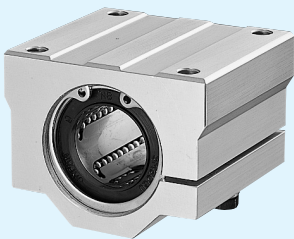
SMP

P.E-18



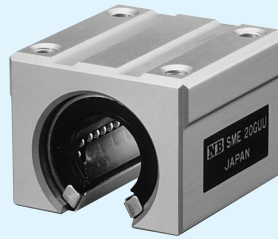
SMJ

P.E-20



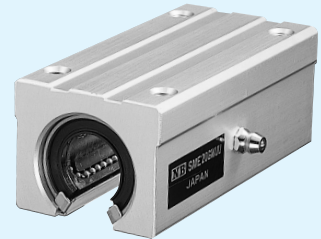
SME

P.E-22



SME-W

P.E-24



SMD

P.E-26

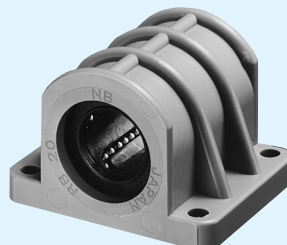


RB

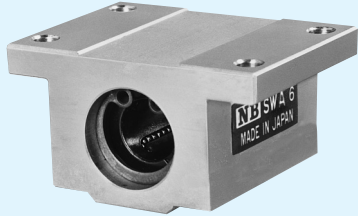
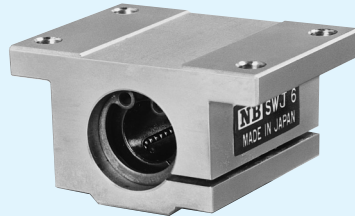
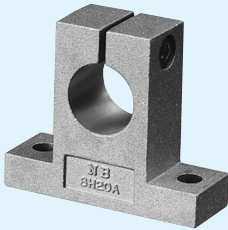
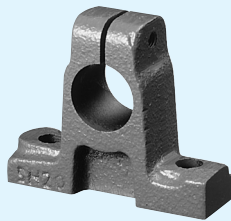
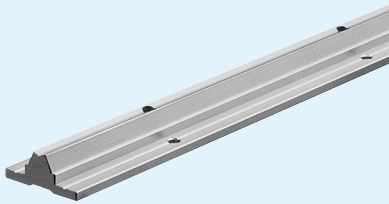
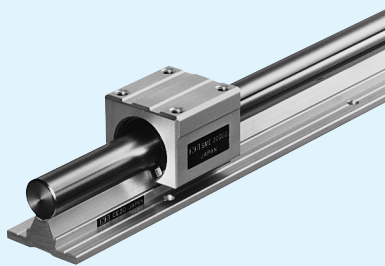
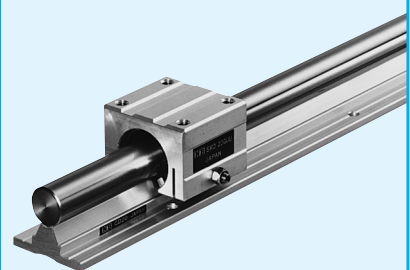
P.E-28

RBW

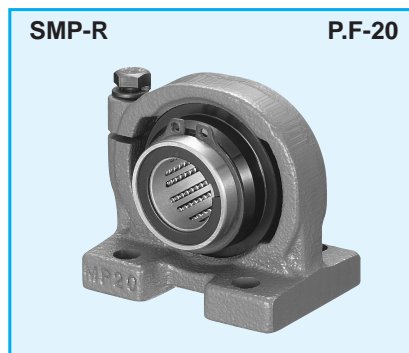
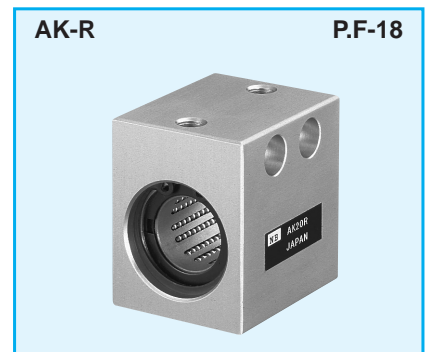
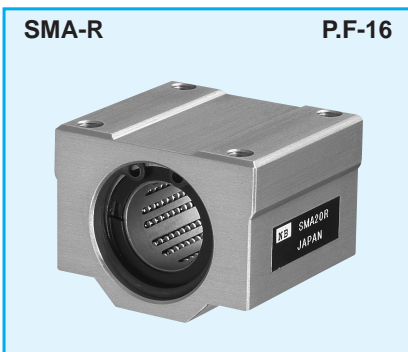
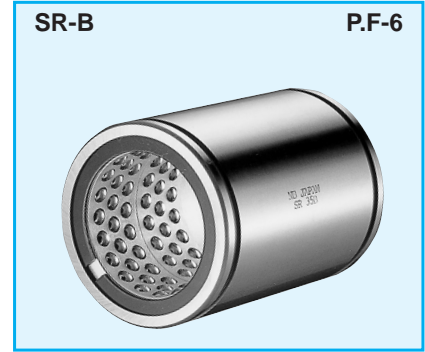
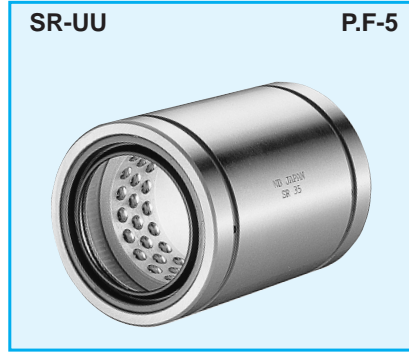
P.E-44



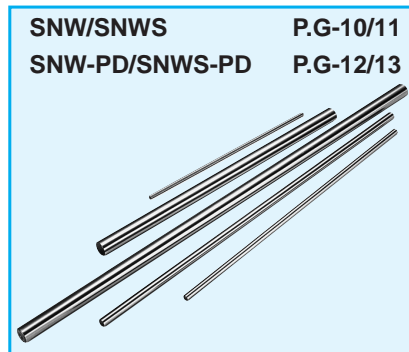
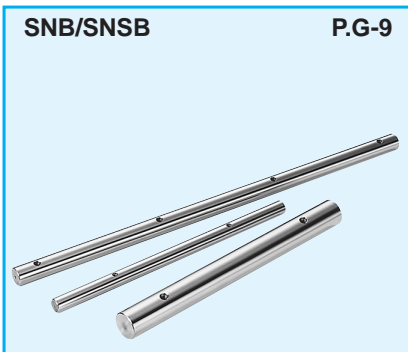
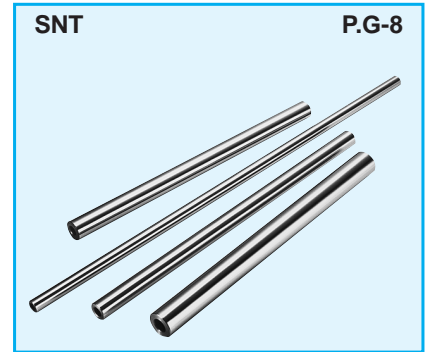
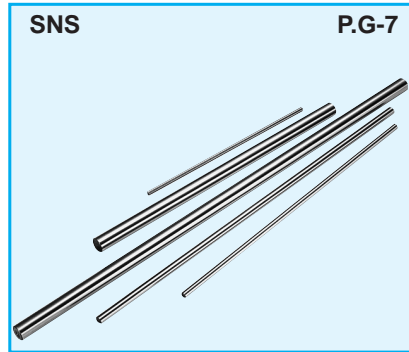
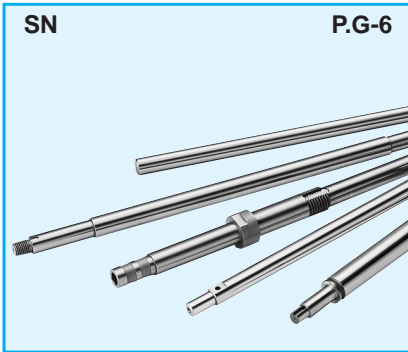
SLIDE UNIT

SWA**P.E-38****SWJ****P.E-40****SWD****P.E-42****SH-A
WH-A****P.E-29
P.E-45****SH****P.E-30****SHF/SHF-FC****P.E-31****SA
WA****P.E-32
P.E-46****CE****P.E-34****CD****P.E-36**

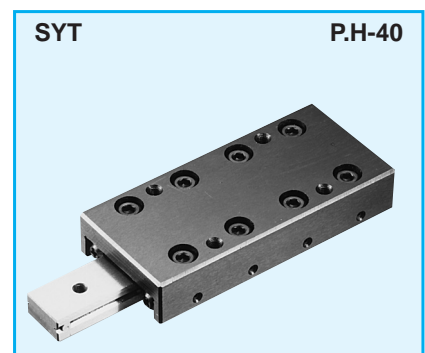
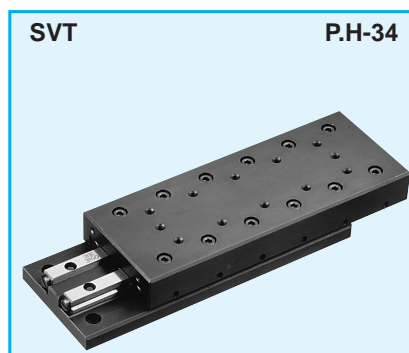
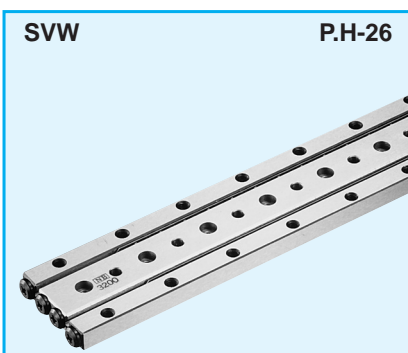
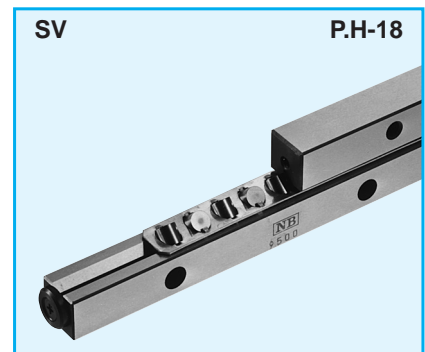
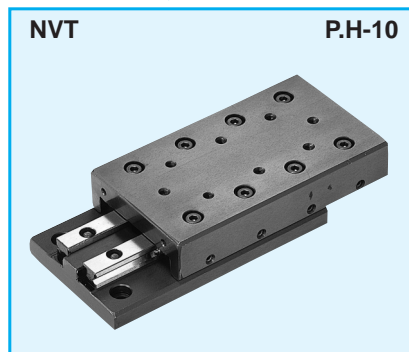
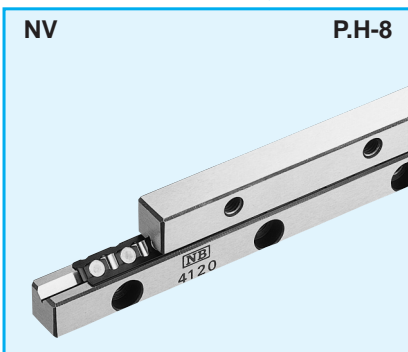
STROKE BUSH, SLIDE ROTARY BUSH

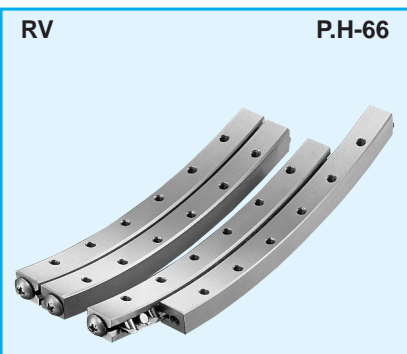
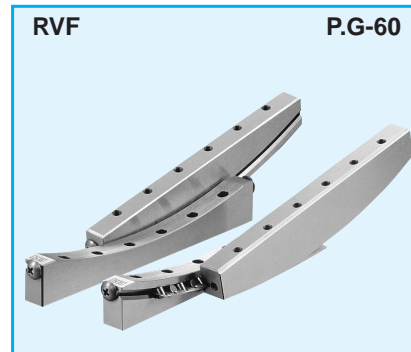
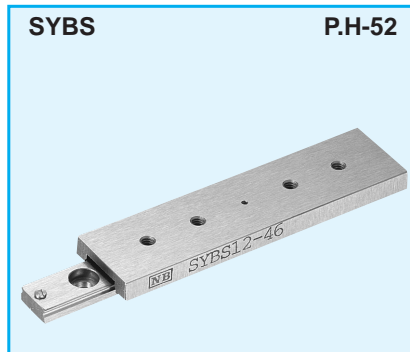
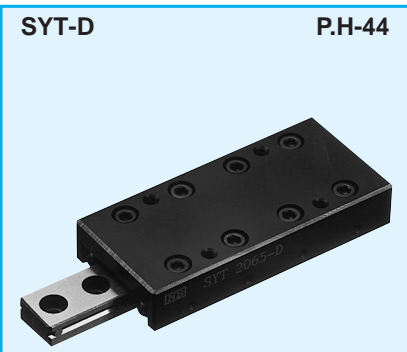


SLIDE SHAFT

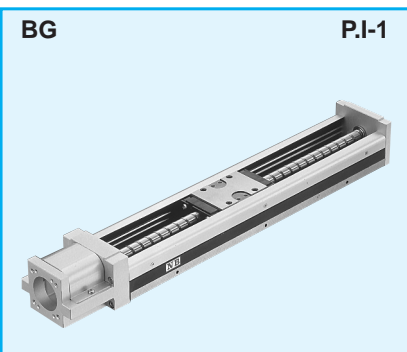


SLIDE WAY, SLIDE TABLE, GONIO WAY

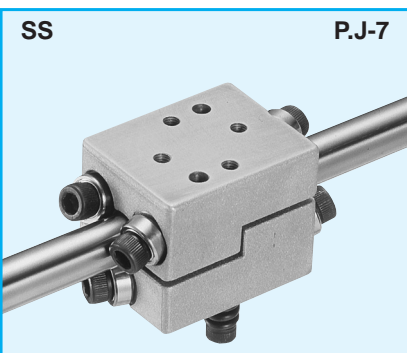




ACTUATOR



SLIDE SCREW





NIPPON BEARING CO., LTD.

2833 Chiya, Ojiya-city, Niigata-pref., 947-8503 JAPAN
Phone: 81-258-82-0011 Fax: 81-258-81-1135

NB Corporation of America

939 A.E.C. Drive, Wood Dale, IL 60191
Phone: (630)227-1112 Fax: (630)227-1118
Toll Free: (800)521-2045

Western Regional Office

2157 O'Toole Ave., Suite D, San Jose, CA 95131
Phone: (408)435-1800 Fax: (408)435-1850
Toll Free: (888)562-4175

Eastern Regional Office

52 First Street, Hackensack, NJ 07601
Phone: (201)487-1441 Fax: (201)487-7107
Toll Free: (800)981-8190

<http://www.nbcorporation.com>
info@nbcorporation.com

NB Europe B.V.

Spinnerij 57, 1185 ZS Amstelveen, THE NETHERLANDS
Phone: ++31-20-453-4901 Fax: ++31-20-453-6730
<http://www.nbeurope.com>
info@nbeurope.com

No.159

First Edition: Dec.24 2005

※Specifications are subject to change without notice.
Copyright ©2003 Nippon Bearing Co.,Ltd.All rights reserved.



NIPPON BEARING CO., LTD.

2833 Chiya, Ojiya-city, Niigata-pref., 947-8503 JAPAN
Phone:81-258-82-0011 Fax:81-258-81-1135

NB Corporation of America

939 A.E.C. Drive, Wood Dale, IL 60191
Phone:(630)227-1112 Fax:(630)227-1118
Toll Free:(800)521-2045

Western Regional Office

2157 O'Toole Ave., Suite D, San Jose, CA 95131
Phone:(408)435-1800 Fax:(408)435-1850
Toll Free:(888)562-4175

Eastern Regional Office

52 First Street, Hackensack, NJ 07601
Phone:(201)487-1441 Fax:(201)487-7107
Toll Free:(800)981-8190

<http://www.nbcorporation.com>
info@nbcorporation.com

NB Europe B.V.

Spinnerij 57, 1185 ZS Amstelveen, THE NETHERLANDS
Phone:++31-20-453-4901 Fax:++31-20-453-6730
<http://www.nbeurope.com>
info@nbeurope.com

Local Sales Representative:

No.159

First Edition:Dec.24 2005